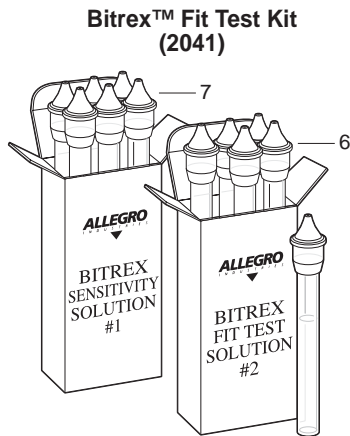
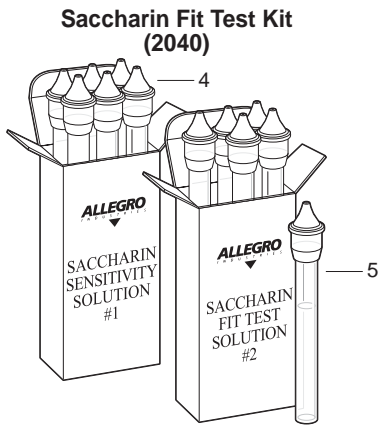
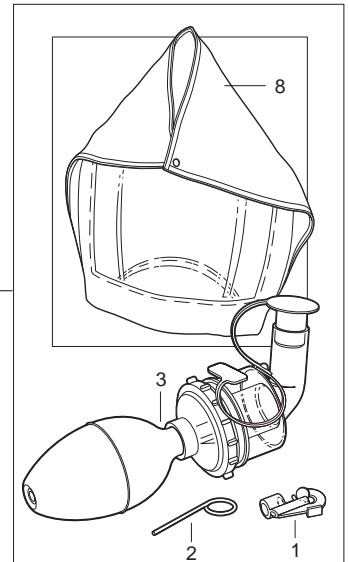


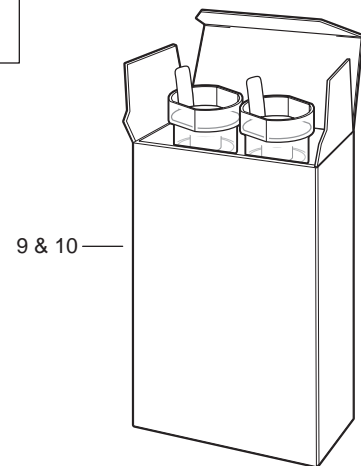
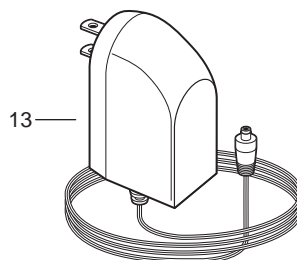
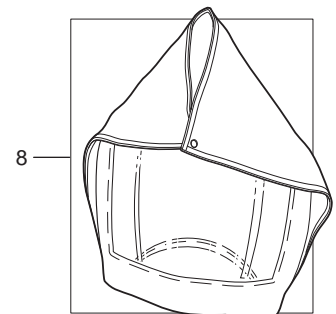
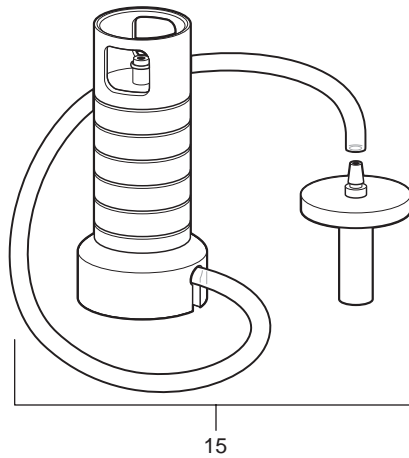
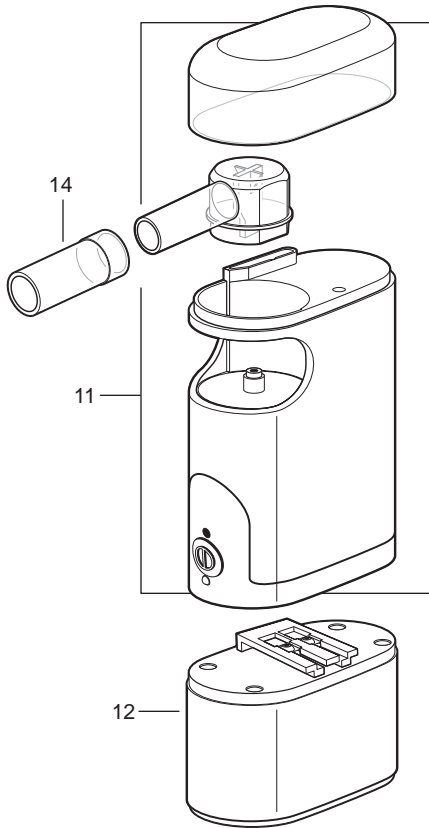
SACCHARIN FIT TEST KIT (2040) BITREX™ FIT TEST KIT (2041)



Common to both BITREX and SACCHARIN Test Kits



DELUXE BITREX™ (2041-DLX) and DELUXE SACCHARIN FIT TEST KIT (2040-DLX)



| Key | Part # | Description | Key | Part # | Description | Key | Part # | Description |
|-----|-------------|--|-----|-----------------|---|-----|---------|----------------------------------|
| | 2040 | Saccharin Test Kit | 7 | 2041-12K | Bitrex Fit Test Solution (6 Per box) | 11 | 2040-15 | Deluxe Kit Auto Pump |
| | 2041 | Bitrex Test Kit | 8 | 2040-04 | Test Hood (use w/Saccharin & Bitrex) | 12 | 2040-16 | Deluxe Kit Battery |
| 1 | 2040-09 | Nozzel (Blue) | | 2040-DLX | Deluxe Saccharin Fit Test Kit | 13 | 2040-17 | Deluxe Kit AC Power Supply |
| 2 | 2040-80 | Cleaning Tool | | 2041-DLX | Deluxe Bitrex Fit Test Kit | 14 | 2040-18 | Deluxe Kit Plastic Elbow |
| 3 | 2040-08N | Fit Test Nebulizer Comes w/ Sensitivity and Test Solution Labels | 9 | 2040-11KD | Deluxe Saccharin Sensitivity Solution, (8 Per box) | 15 | 2040-19 | Deluxe Kit Remote Hand Nebuliser |
| 4 | 2040-11K | Saccharin Sensitivity Solution (6 Per box) | | 2040-12KD | Deluxe Saccharin Fit Test Solution, (8 Per box) | | | |
| 5 | 2040-12K | Saccharin Fit Test Solution (6 Per box) | 10 | 2041-11KD | Deluxe Bitrex Sensitivity Solution, (8 Per box) | | | |
| 6 | 2041-11K | Bitrex Sensitivity Solution (6 Per box) | | 2041-12KD | Deluxe Bitrex Test Solution, (8 Per box) | | | |