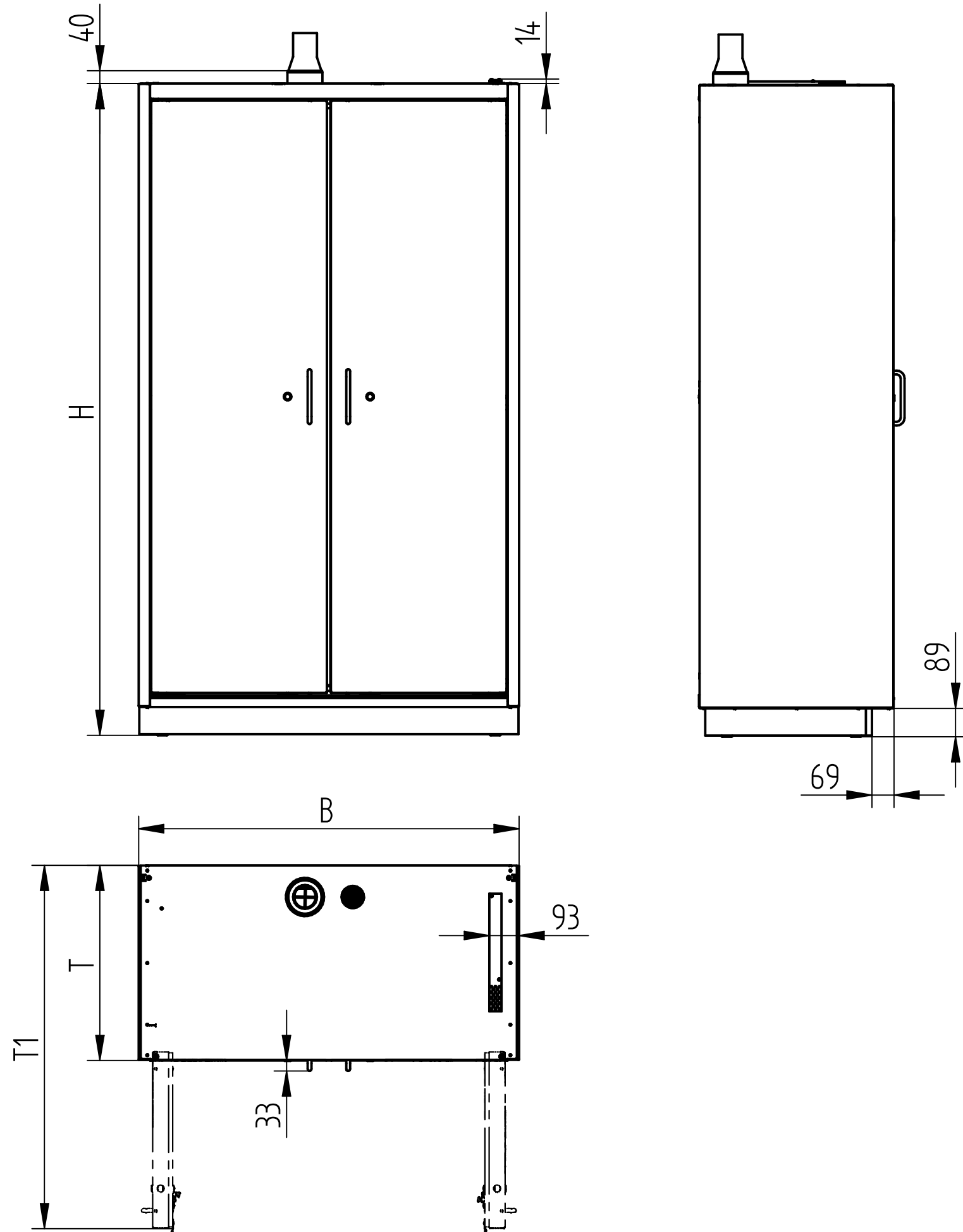


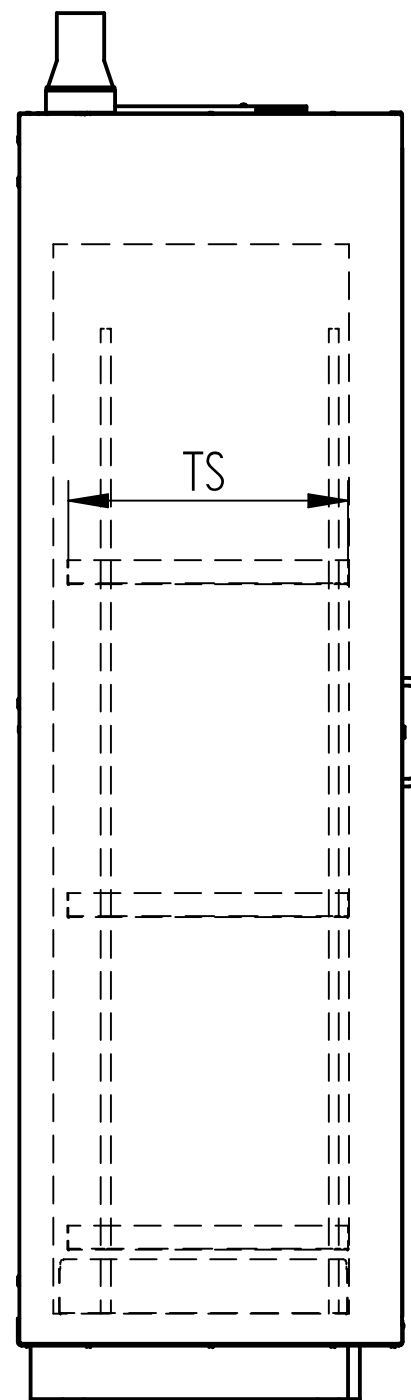
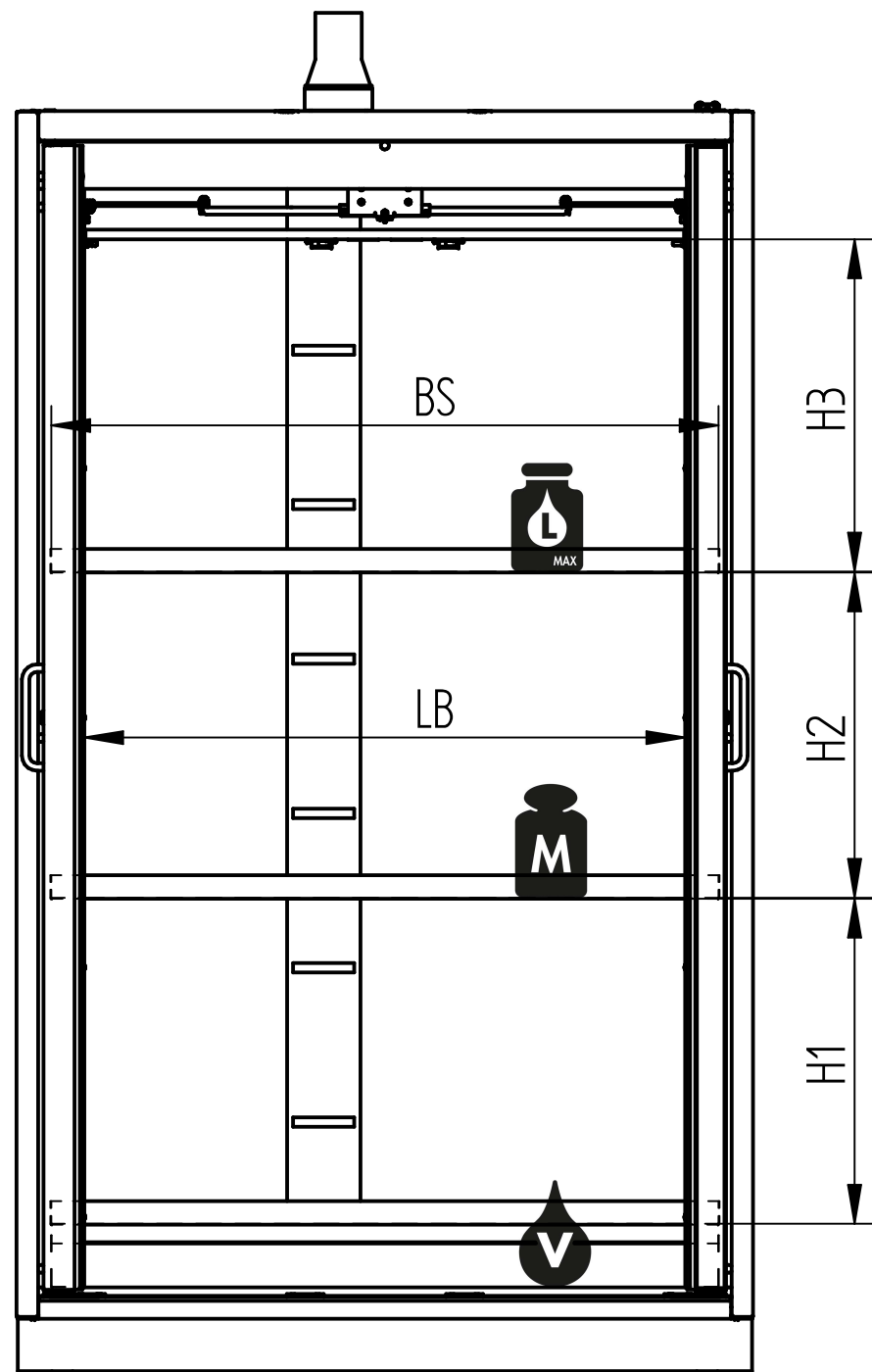


	Model type	
	M	XL
H (mm)	2045	2045
B (mm)	594	1194
T (mm)	612	612
T1 (mm)	1100	1140
Doors	1	2
Tare weight (kg)	270	450
Inside cabinet volume (m <sup>3</sup> )	0,43	0,95



### Outer dimensions

This drawing is our property! Furnish this information to other persons and reproduce or copy is not permitted without our written permission.	title: BASIC standard Type 30, safety cabinet with wing door(s)		
	drawing no.: D00120317	page: 1 of 4	
Düperthal Sicherheitstechnik Frankenstrasse 3 D-63791 Karlstein	revision: 00	date: 2022-06-30	





	Model type	
	M	XL
BS (mm)	481	1081
TS (mm)	444	444
M (kg)	75	75
Max. additional load (kg)	360	360
L (l)	10	30
V (l)	11	33
LB (mm)	374	974
Number of storage shelves	3	3

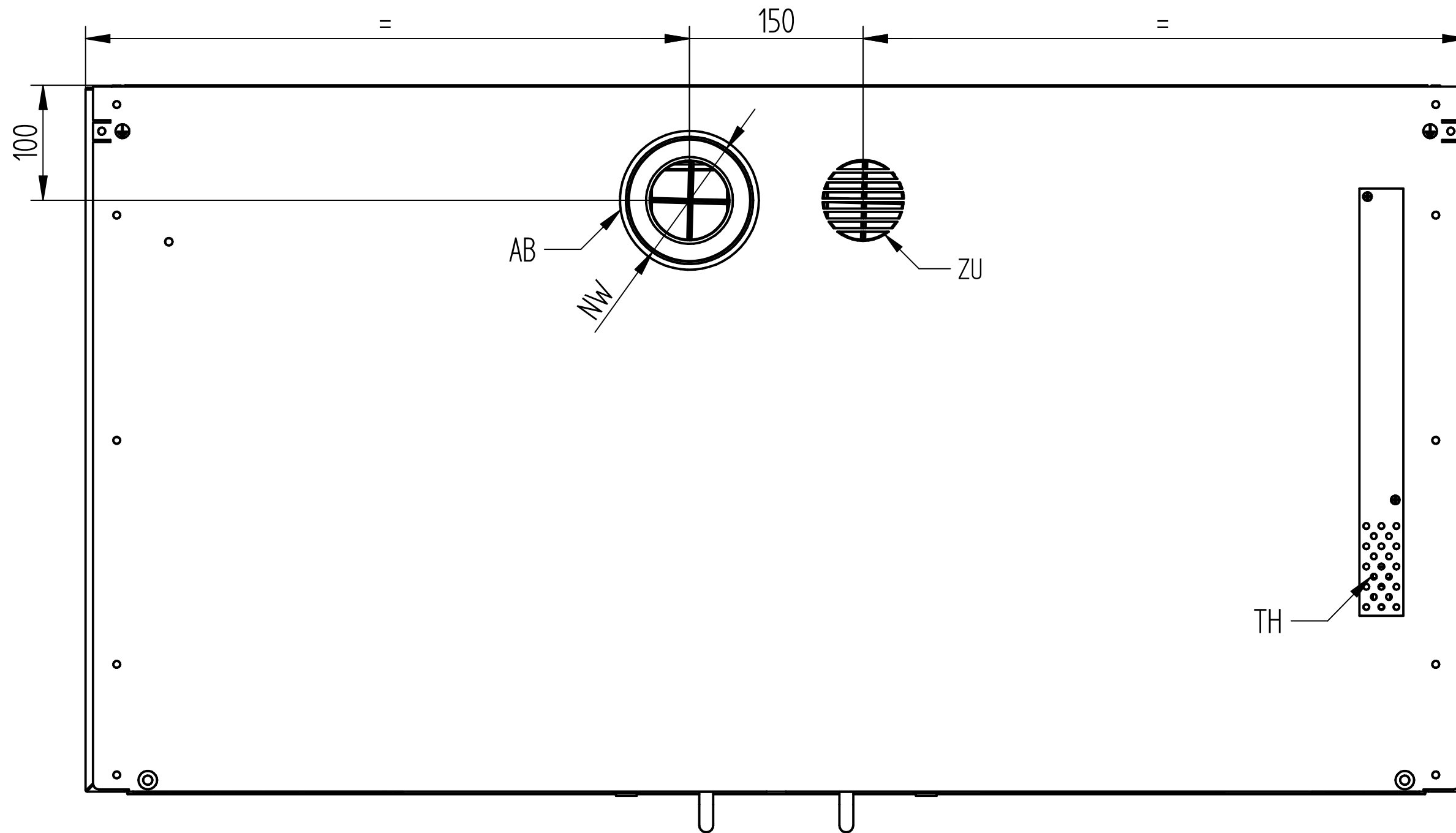
- BS: Width storage shelf
- TS: Depth storage shelf
- M: Load bearing capacity per storage shelf (uniformly distributed)
- L: Max. volume of the individual container
- V: Max. collection volume
- LB: Clear width

Max. setting heights (mm)	
	Model type M, XL
H1	526
H2	526
H3	538

**Storage shelves adjustable in 16mm pitch**

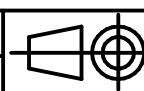

### Inner dimensions

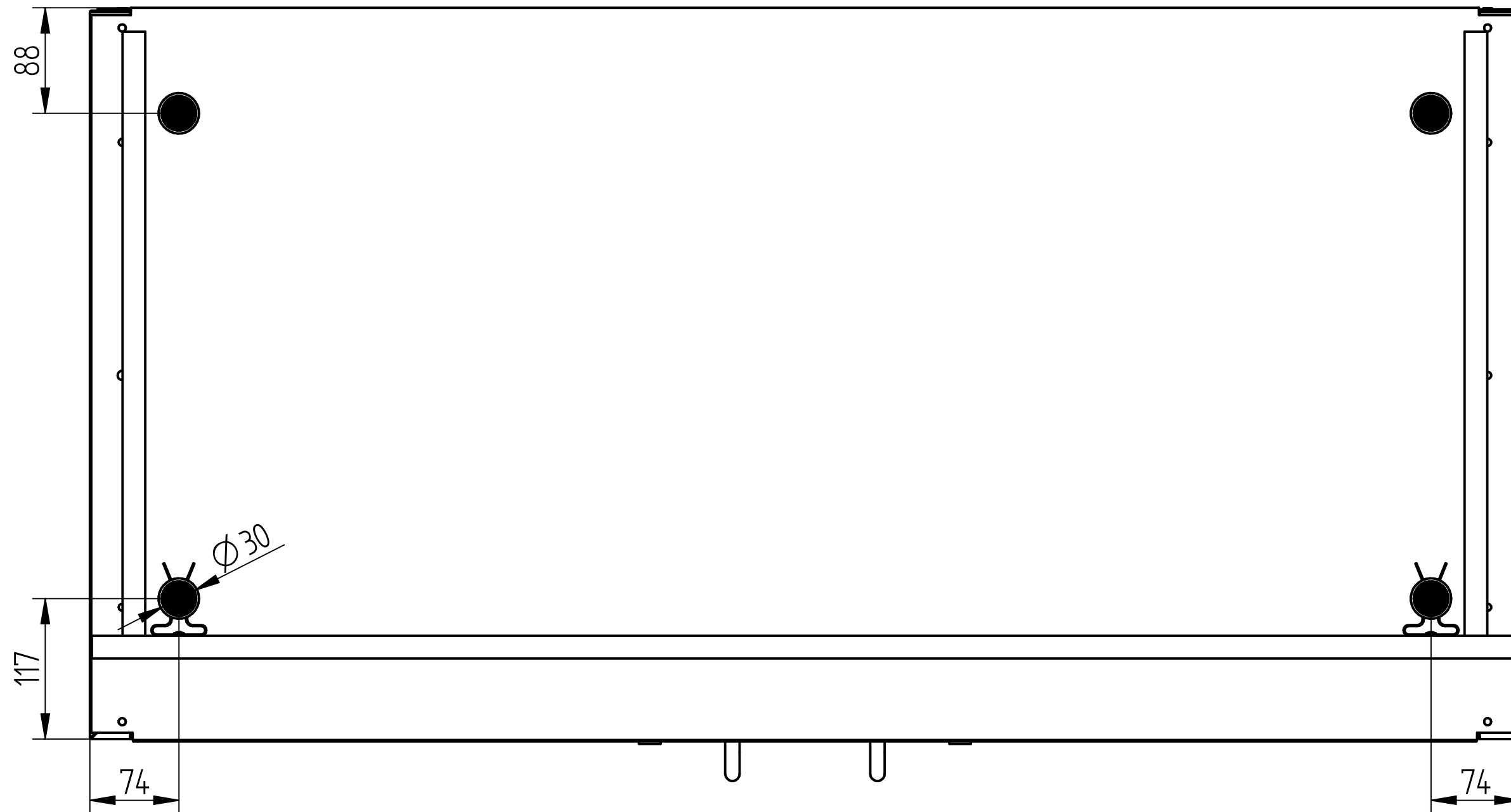
This drawing is our property! Furnish this information to other persons and reproduce or copy is not permitted without our written permission.	title: BASIC standard Type 30, safety cabinet with wing door(s)		
	drawing no.: 000120317	page: 2 of 4	
Düperthal Sicherheitstechnik Frankenstrasse 3 D-63791 Karlstein	revision: 00	date: 2022-06-30	



NW: 110, with adapter 75  
 AB: Exhaust air connection  
 ZU: Supply  
 TH: Thermocouple

### Ventilation connection

This drawing is our property! Furnish this information to other persons and reproduce or copy is not permitted without our written permission.	title: BASIC standard Type 30, safety cabinet with wing door(s)		
	drawing no.: 000120317	page: 3 of 4	
Düperthal Sicherheitstechnik Frankenstrasse 3 D-63791 Karlstein	revision: 00	date: 2022-06-30	



● Loaded footprint

### Geometry of the adjustable feet

This drawing is our property! Furnish this information to other persons and reproduce or copy is not permitted without our written permission.	title: BASIC standard Type 30, safety cabinet with wing door(s)		
	drawing no.: 000120317	page: 4 of 4	
Düperthal Sicherheitstechnik Frankenstrasse 3 D-63791 Karlstein			