

General requirements:

Number of pipe penetrations per cabinet	2
max. cut-out cross-section per cabinet	1412mm ²
max. pipe diameter (d)	28mm
max. hose diameter (d)	28mm
max. cable diameter (3x 1,5 ²) (d)	8mm
Pipe material	steel /stainless steel
max. pipe wall thickness	1mm
max. hose wall thickness	3mm

Note!

- A: Pipes and cables are installed in holes with their nominal diameters (d).
- B: Hoses < Ø20mm are installed in holes with their nominal diameters (d).
- C: Hoses ≥ Ø20mm are wound continuously completely with a layer of intumescent strip (see Fig. 2). Drillhole diameter= nominal diameter (d) + 3,6mm.
- D: Drillholes can be designed to the upper tolerance of the nominal diameter (d) or at most be rounded up to the next full millimetre. Gaps between the pipe/ hose/ cable and the insulation must be avoided.
- E: Unused drillholes must be closed properly!
- F: The minimum distance between the holes must be 15mm (see Fig.3).

The pipe penetration may only be attached in the marked attachment areas (see page 2) for the respective cabinet type! The edge of the frame defines the outer limit of the attachment area.

The drillhole must always be perpendicular to the attachment area.

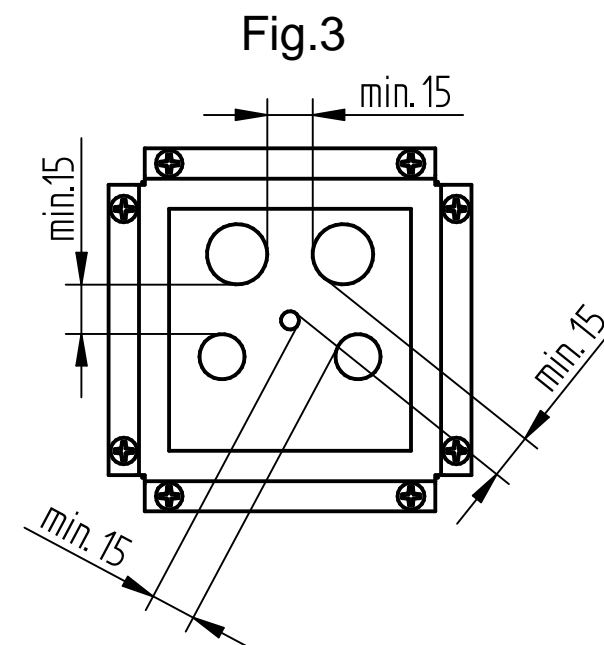
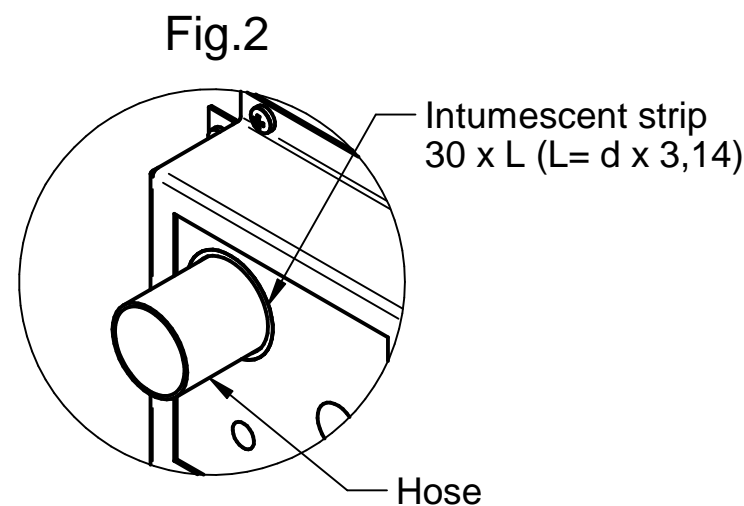
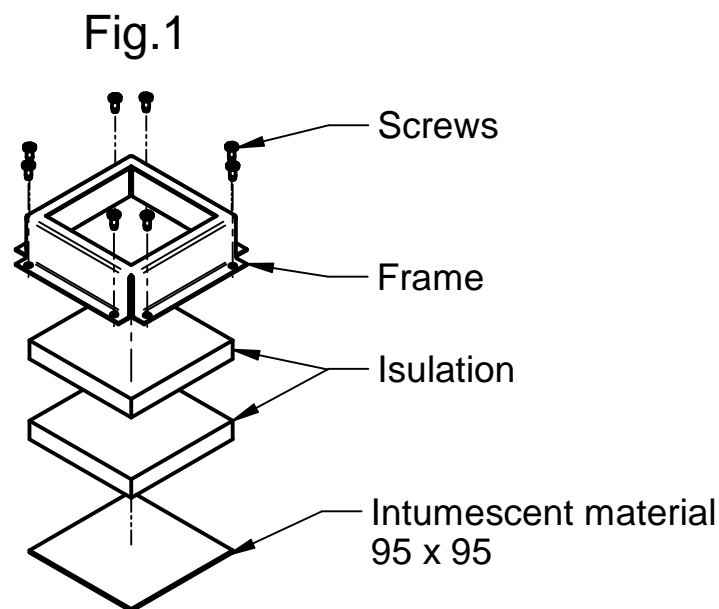
The door locking must not have any negative effects, when attaching the pipe penetration!

The pipes/ hoses/ cables to be fed in must not block the doors!

The pipes/ hoses/ cables to be fed in must not block the inside valve flaps!

The pipe penetration is assembled in the following order in preparation for the attachment: 1. Intumescent material, 2. Insulation, 3. Frame (see Fig. 1).

Use Ø3,5 x 9,5 screws for fixing onto the sides or top.



Cross-section calculation:

$A = \text{Cross-section area} = 3,14/4 \times d^2 \approx 0,785 \times d^2$

Example for assignment:

1x Ø20mm + 2x Ø15mm:

$A = 1 \times 0,785 \times 20\text{mm}^2 + 2 \times 0,785 \times 15\text{mm}^2$

$A = 667,25\text{mm}^2$

Model type	
S	page 2

The drawing is our property and may not be copied or made accessible to third parties without our written permission.

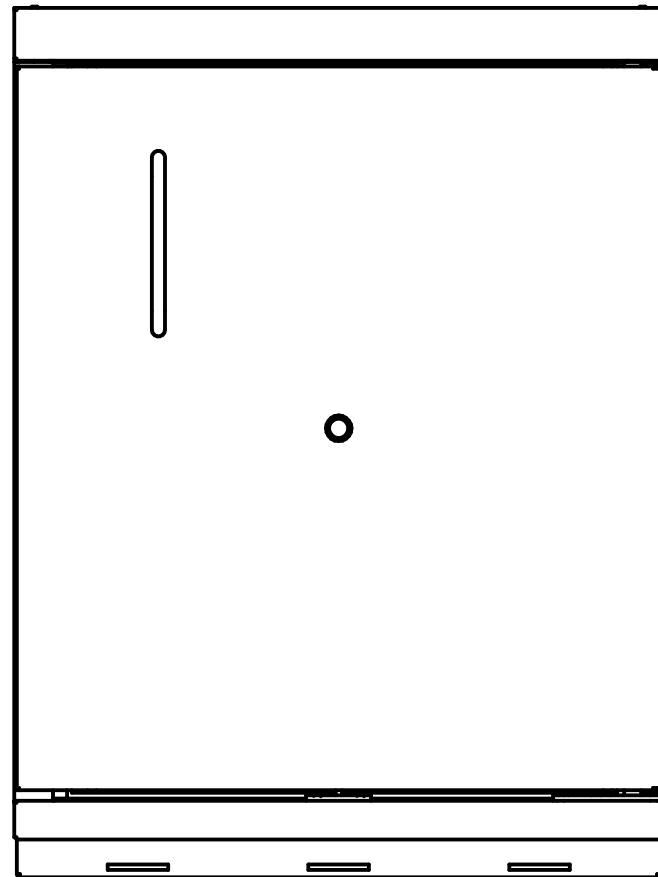
title: Installation instruction pipe penetration
BENCH standard / pro

part number: 55255 drawing number: 000106829

revision: 02 date: 2024-04-18 page: 1 von 2

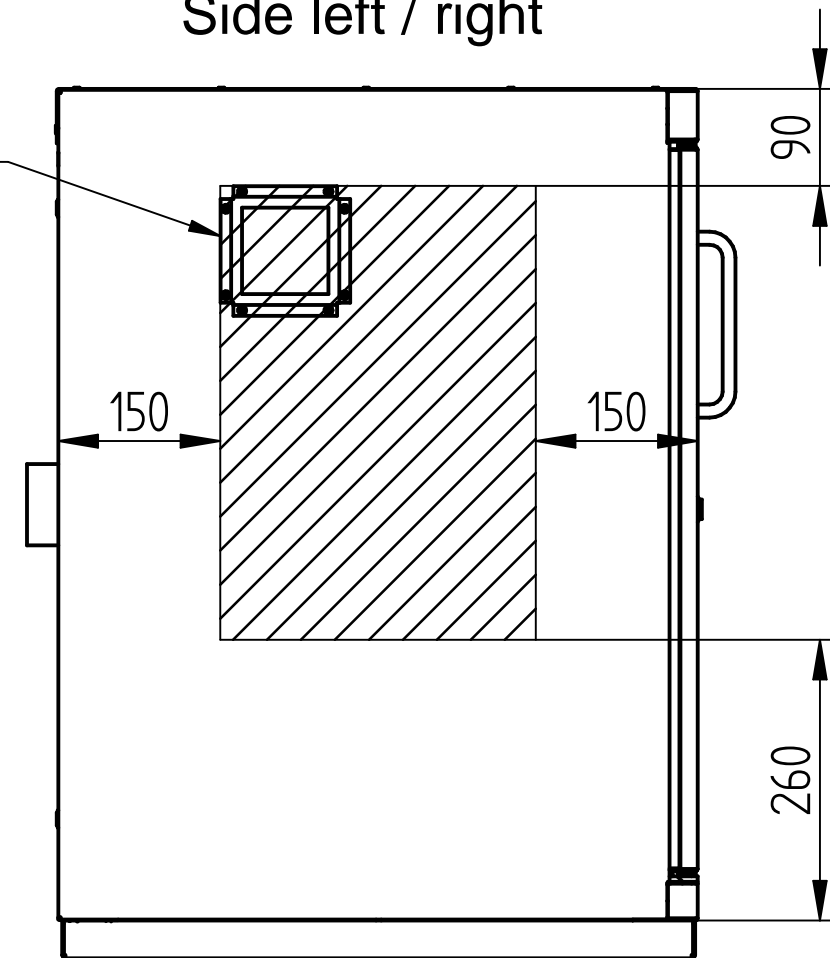
DÜPERTHAL Sicherheitstechnik
Frankenstraße 3
D-63791 Karlstein



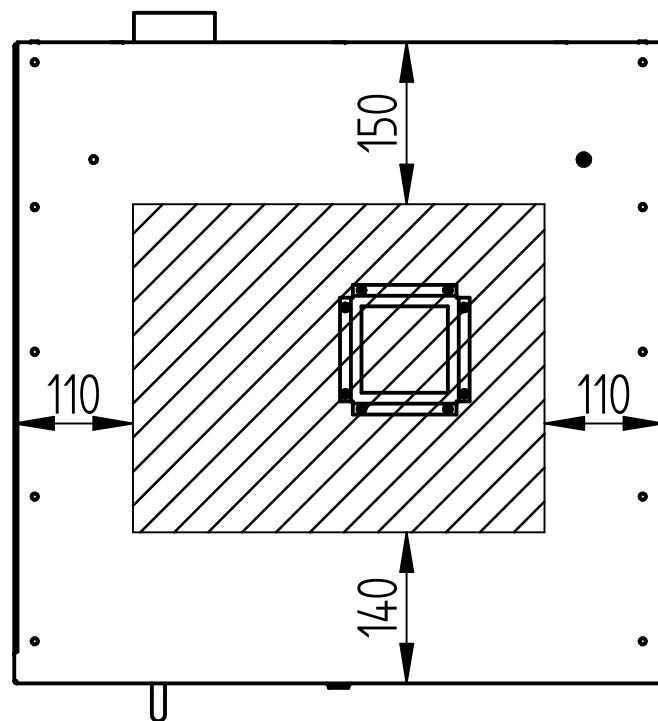


Side left / right


29-20000-x48
120 x 120



Top panel



Description for:
- Classical door technology (door handle)
and Push-to-open

 Attachment areas

Model type: S

The drawing is our property and may not be copied or made accessible to third parties without our written permission.

title: Installation instruction pipe penetration
BENCH standard / pro

part number: 55255 drawing number: 000106829

revision: 02 date: 2024-04-18 page: 2 von 2

DÜPERTHAL Sicherheitstechnik
Frankenstraße 3
D-63791 Karlstein

 **DÜPERTHAL**